



## AXIstorage Li 8S



High-performance lithium-ions-energy storage for residential, e-mobility and commercial applications

### Advantages:



7.1 kWh useable capacity



Flexible configuration:  
up to max. 85.2 kWh On-Grid and Off-Grid



Permanent charging performance of up to 4.5 kW (81A)  
Permanent discharge performance of up to 8.1 kW (150A)



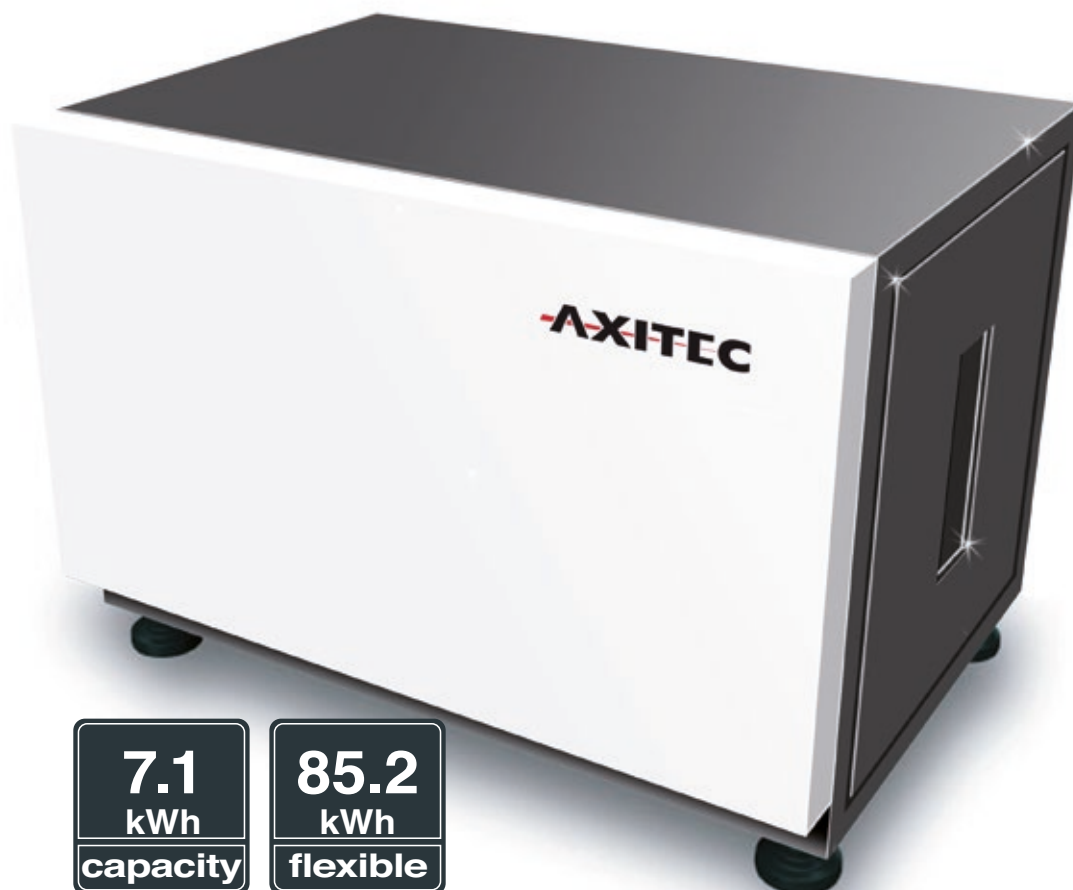
Up to 20 years of life time due to an optimized cooling system



10 years of time value replacement warranty



3 units stackable



**7.1**  
kWh  
capacity

**85.2**  
kWh  
flexible

# AXIstorage Li 8S

## Electrical Data

Nominal Capacity	8.9 kWh
Useable Capacity	7.1 kWh
Nominal Voltage	54.75 V
Nominal Capacity	162.0 Ah
Charging Power	up to 4.5 kW (81 A)
Discharging Power	up to 8,1 kW (150 A) + 300 A Peak (for 3 sec.)
Efficiency	up to 97% (at 25°C)
Cooling	active fan
Range of Temperature	0 - 50°C
Max. Air Humidity (not condensing)	85%
BMS (Battery Management System)	integrated

## Mechanical Data

Technology	Lithium (NCA)
H x W x D	421 x 638 x 487 mm
Weight	98 kg
Protection Category	IP21
Certifications and Standards:	CE + UN38.3

## Safety

- Double wall housing
- Elevated construction to protect against water damage
- Monitoring of current, voltage and temperature
- Single cell monitoring
- State of charge determination and battery monitoring (SOC + SOH)
- Passive balancing

## Included in Delivery

- 50 mm<sup>2</sup> connecting cable, length 2 m
- NH disconnect (without NH-fuse)
- Integrated communication interface CAN - SMA Protocol

## Compatibility

- SMA Sunny Island: 4.4 / 6.0 / 8.0
- Victron Energy Multiplus/Multigrid/Quattro

## Accessories for System Expansion

- Master Unit for 2 to 12 storages used in parallel

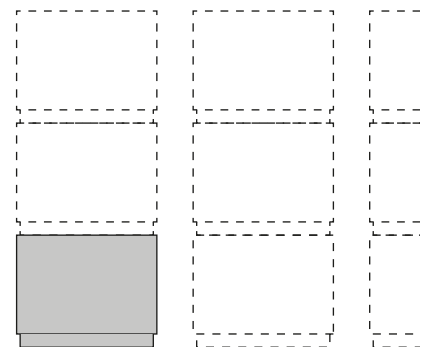
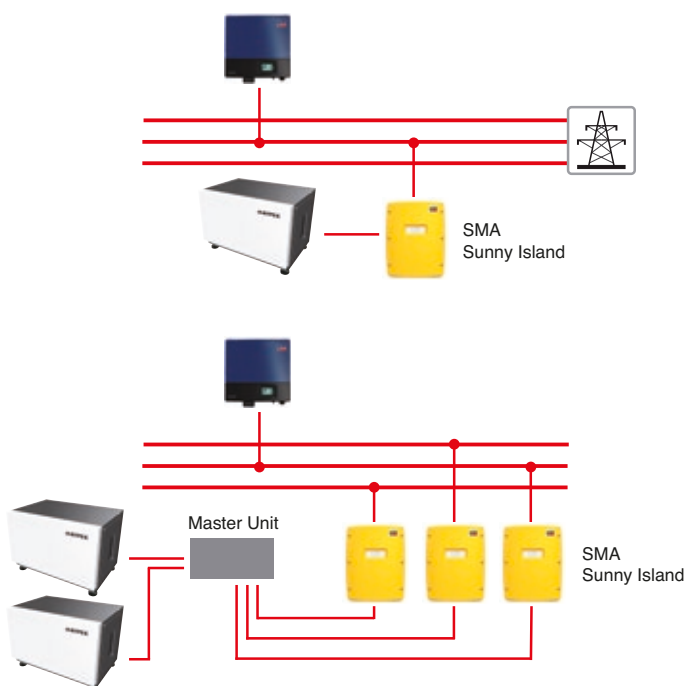


Fig. similar

flexibly expandable for 2 to 12 storages = 85.2 kWh